

**DECLARATION OF PERFORMANCE
14TG/TRB-6/33/13**

1. Unique identification code of the product type:

TRB-6/1200

2. Number of type, batch or lot or any other element to identify the construction product required according to art.11 law 4:

See the technical specification of the product.

3. Provided by the manufacturer intended use or uses of a construction product in accordance with applicable harmonized technical specification

Self-supporting profiled sheets applied in building industry to make roof covers and wall cladding of the buildings

4. Name, registered trade mark or registered trade name and contact address details required according to art.11 law 5:

BUDMAT
Bogdan Więcek, ul. Otolińska 25
09-407 Płock

5. System or systems of assessment and verification of constancy of construction product functional properties determined in annex V:

Assessment system 3 and 4

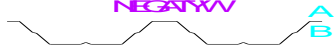

6. In case of declaration of functional properties concerning construction product covered by harmonized standard:

Polish Standard PN-EN 14782:2008 - Self supporting metal sheets for roofs, outdoor and indoor cladding. Characteristics and requirements of the product.

Usage and range of construction product usage: in buildings located in the areas of the following corrosion categories (according to: PN EN ISO 12944-2:2001):

- sheets with zinc coating (Z 100) of 100g/m² applicable inside the buildings in the areas of corrosion category C1
- sheets with zinc coating of 100g/m² and covered with polyester organic coatings of thicknesses 12, 15, 18µm applicable inside the buildings in the areas of corrosion category C1, C2
- sheets with zinc coating of 200g/m² or aluminium-zinc alloy (AZ 150) of 150g/m² - applicable inside the buildings in the areas of corrosion category C1, C2
- sheets with zinc coating of 200g/m² and covered with polyester organic coatings up to thickness SP25µm - applicable inside the buildings in the areas of corrosion category C1, C2
- sheets with zinc coating of 275g/m² or aluminium-zinc alloy (AZ 150) of 150g/m² covered with polyester organic coatings of thicknesses 12, 15, 18µm - in the areas of corrosion category C1, C2 – for elevation
- sheets with zinc coating of 200g/m² and polyester organic coatings of thickness 25µm or higher - in the areas of corrosion category C1, C2, C3 for elevation
- sheets with zinc coating of 275g/m² or aluminium-zinc alloy (AZ 150) of 150g/m² covered with polyester organic coatings of thicknesses 25µm, 30µm or SP NOVA 50 or HDX 55 µm, PVDF (25µm) - in the areas of corrosion category C1, C2, C3
- sheets with coating Z 350 or AZ 185g/m² – applicable outdoor in the areas of corrosion category C1, C2, C3
- perforated sheets protected with zinc coating of min.275g/m² and polyester organic coating of thickness

min.12µm – applicable indoor, category C1, C2

| Lp | Technical characteristics | Declared value | |
|----|---|---|---|
| 1 | Fire resistance | class B ROOF (t1), class B ROOF(t2), class B ROOF (t3) | |
| 2 | Reaction to fire | Coating thickness ≤25µm | Coating thickness >25µm Coating thickness ≤55µm |
| | | A1 | A2-s2,d0 |
| 3 | Concentrated force resistance 1,2 KN support spacing L [mm] |  |  |
| | | L=400 Doesn't meet the requirement | L=400 Doesn't meet the requirement |

Building Research Institute:

Department of Durability and Protection of Building carried out researches of products corrosion resistance and issued an opinion NO-2/819/A/2008 and Report No LM00-0785/11/Z00NM – assessment system 4

Fire Research Department carried out researches of painted coatings fire resistance and issued an opinion NP-1259.2.1/07/AK; NP-1259.2.2/07/AK; NP-1259.2.3/07/AK, NP-1259.2.3/2007/AK – assessment system 3

Building Structures Laboratory carried out researches of concentrated load and issued a report – LK-0691/P/09 - assessment system 3

Water resistance, permeability of water, air and vapor – Products that don't have perforations (as damages) are waterproof and impermeable to steam and air.

Change of dimensions – thermal expansion should be taken into account where such change may affect the use of product, correspondent steel thermal expansion coefficient $12 \times 10^{-6} \text{ K}^{-1}$ should be taken into account.

Dimension tolerances for roof products are described in standard PN-EN 508-1

7. Product functional properties defined in paragraph 3 are consistent with those declared in paragraph 6

This declaration of performance is issued under the sole responsibility of the manufacturer. On behalf of manufacturer signed:

On behalf of manufacturer signed
Production Director Mieczysław Kijek
(name and position)

Płock 01.07.2013



..... Mieczysław Kijek
Podpis osoby upoważnionej



DECLARATION OF PERFORMANCE 14TG/TRB-6/33/13

1. Unique identification code of the product type:

TRB-6/1200

2. Number of type, batch or lot or any other element to identify the construction product required according to art.11 law 4:

See the technical specification of the product.

3. Provided by the manufacturer intended use or uses of a construction product in accordance with applicable harmonized technical specification

Self-supporting profiled sheets applied in building industry to make roof covers and wall cladding of the buildings

4. Name, registered trade mark or registered trade name and contact address details required according to art.11 law 5:

BUDMAT
Bogdan Więcek, ul. Otolińska 25
09-407 Płock

5. System or systems of assessment and verification of constancy of construction product functional properties determined in annex V:

Assessment system 3 and 4

6. In case of declaration of functional properties concerning construction product covered by harmonized standard:



Polish Standard PN-EN 14782:2008 - Self supporting metal sheets for roofs, outdoor and indoor cladding. Characteristics and requirements of the product.

Usage and range of construction product usage: in buildings located in the areas of the following corrosion categories (according to: PN EN ISO 12944-2:2001):

- sheets with zinc coating (Z 100) of 100g/m² applicable inside the buildings in the areas of corrosion category C1
- sheets with zinc coating of 100g/m² and covered with polyester organic coatings of thicknesses 12, 15, 18µm applicable inside the buildings in the areas of corrosion category C1, C2
- sheets with zinc coating of 200g/m² or aluminium-zinc alloy (AZ 150) of 150g/m² - applicable inside the buildings in the areas of corrosion category C1, C2
- sheets with zinc coating of 200g/m² and covered with polyester organic coatings up to thickness SP25µm - applicable inside the buildings in the areas of corrosion category C1, C2
- sheets with zinc coating of 275g/m² or aluminium-zinc alloy (AZ 150) of 150g/m² covered with polyester organic coatings of thicknesses 12, 15, 18µm - in the areas of corrosion category C1, C2 – for elevation
- sheets with zinc coating of 200g/m² and polyester organic coatings of thickness 25µm or higher - in the areas of corrosion category C1, C2, C3 for elevation
- sheets with zinc coating of 275g/m² or aluminium-zinc alloy (AZ 150) of 150g/m² covered with polyester organic coatings of thicknesses 25µm, 30µm or SP NOVA 50 or HDX 55 µm, PVDF (25µm) - in the areas of corrosion category C1, C2, C3
- sheets with coating Z 350 or AZ 185g/m² – applicable outdoor in the areas of corrosion category C1, C2, C3
- perforated sheets protected with zinc coating of min.275g/m² and polyester organic coating of thickness

min.12µm – applicable indoor, category C1, C2

In connection with the change of the Budmat logotype, previous appearance of documents have expired on 5th of April, 2018. The contents of the documents remain unchanged.

| Lp | Technical characteristics | Declared value | |
|----|---|---|---|
| 1 | Fire resistance | class B ROOF (t1), class B ROOF(t2), class B ROOF (t3) | |
| 2 | Reaction to fire | Coating thickness ≤25µm | Coating thickness >25µm |
| | | A1 | A2-s2,d0 |
| 3 | Concentrated force resistance 1,2 KN support spacing L [mm] |  |  |
| | | L=400 Doesn't meet the requirement | L=400 Doesn't meet the requirement |

Building Research Institute:

Department of Durability and Protection of Building carried out researches of products corrosion resistance and issued an opinion NO-2/819/A/2008 and Report No LM00-0785/11/Z00NM – assessment system 4

Fire Research Department carried out researches of painted coatings fire resistance and issued an opinion NP-1259.2.1/07/AK; NP-1259.2.2/07/AK; NP-1259.2.3/07/AK, NP-1259.2.3/2007/AK – assessment system 3

Building Structures Laboratory carried out researches of concentrated load and issued a report – LK-0691/P/09 - assessment system 3

Water resistance, permeability of water, air and vapor – Products that don't have perforations (as damages) are waterproof and impermeable to steam and air.

Change of dimensions – thermal expansion should be taken into account where such change may affect the use of product, correspondent steel thermal expansion coefficient $12 \times 10^{-6} \text{ K}^{-1}$ should be taken into account.

Dimension tolerances for roof products are described in standard PN-EN 508-1

7. Product functional properties defined in paragraph 3 are consistent with those declared in paragraph 6

This declaration of performance is issued under the sole responsibility of the manufacturer. On behalf of manufacturer signed:

On behalf of manufacturer signed
 Production Director Mieczysław Kijek
 (name and position)

Płock 01.07.2013

BUDMAT

 Mieczysław Kijek
 Podpis osoby upoważnionej