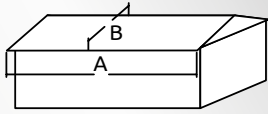
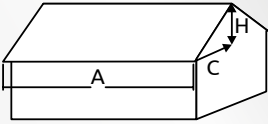


### Roof measurement

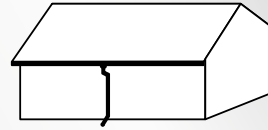


up to 10°  $E_p = A$

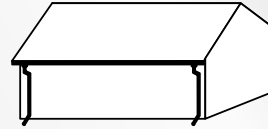


from 10°  $E_p = (C + H/2) \times A$

### System choice

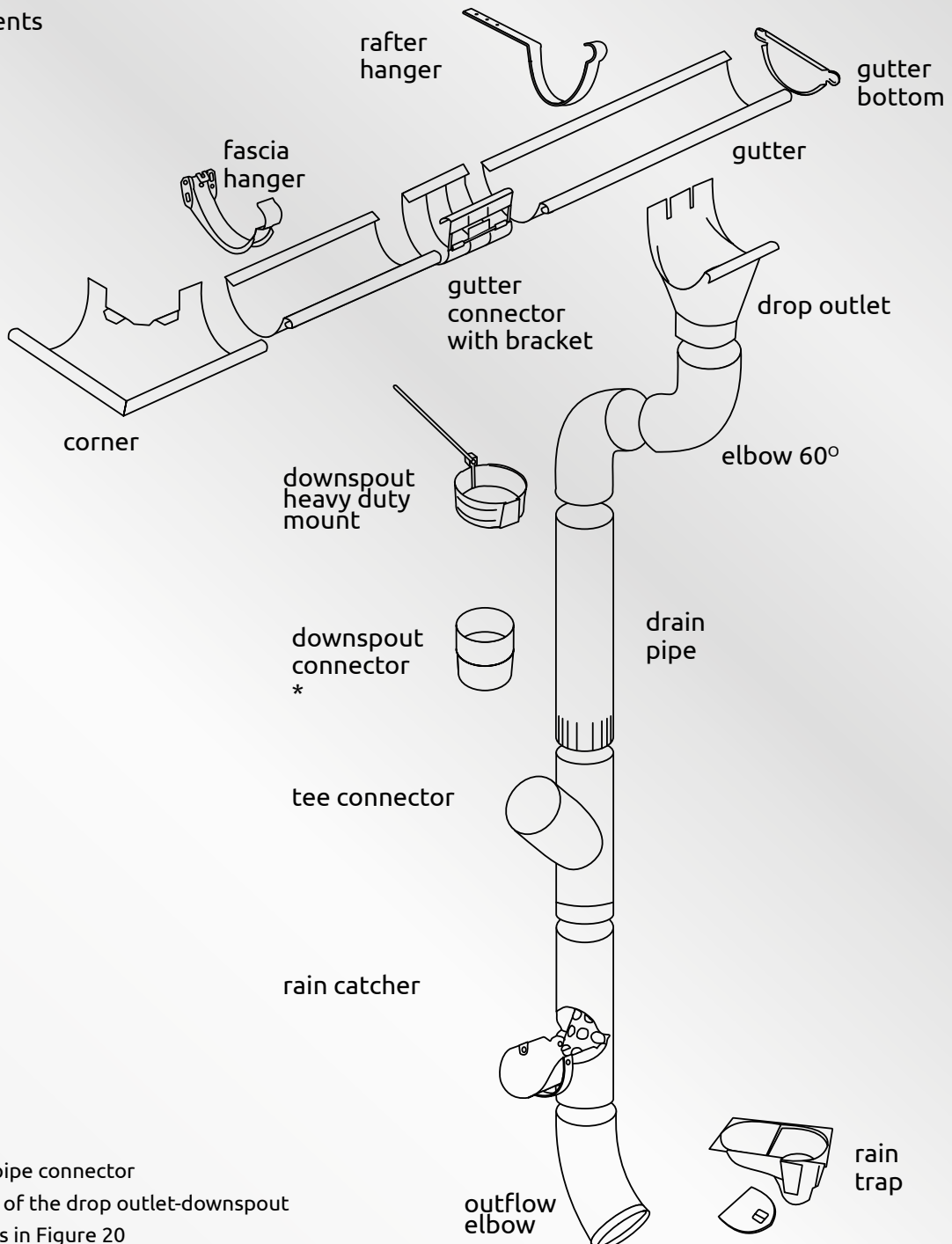


125/90 up to 100 m<sup>2</sup>  
135/90 up to 110 m<sup>2</sup>  
150/100 up to 200 m<sup>2</sup>  
of the roof surface



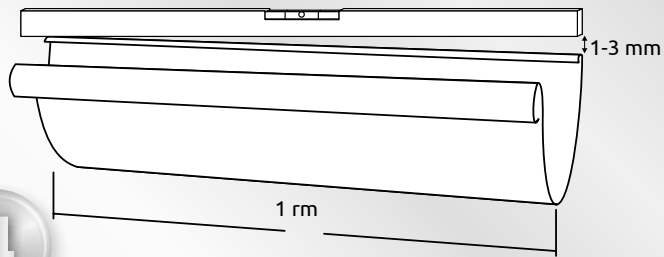
125/90 up to 200 m<sup>2</sup>  
135/90 up to 220 m<sup>2</sup>  
150/100 up to 300 m<sup>2</sup>  
of the roof surface

### System components



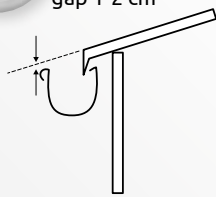
\*  
the use of a downpipe connector  
for the connection of the drop outlet-downspout  
(without elbows) as in Figure 20

Gutter slope 0,1-0,3%

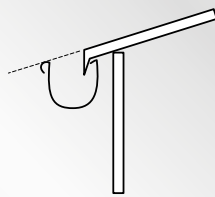


4

gap 1-2 cm

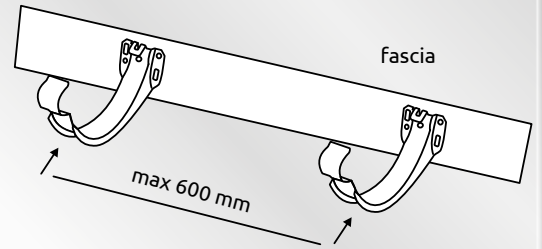


without snow barriers

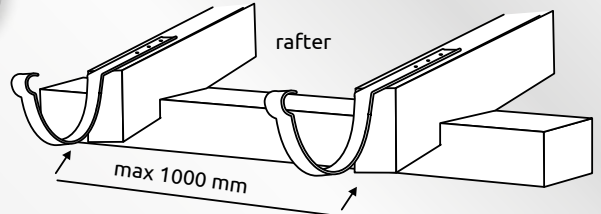


with snow barriers

Spacing of the hangers

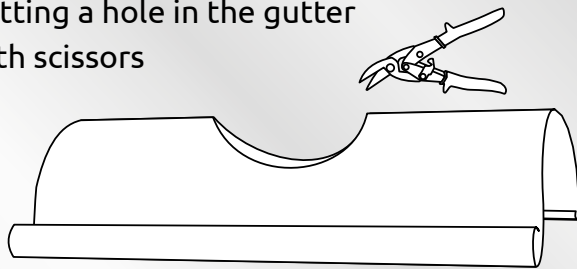


5

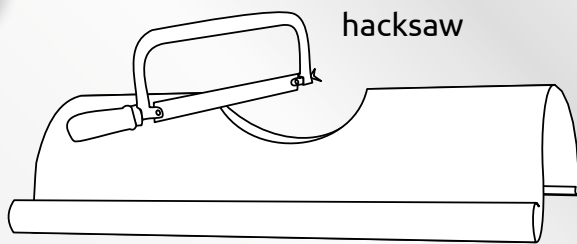


outer hook 100 mm from the end of the eaves (at the bottom)

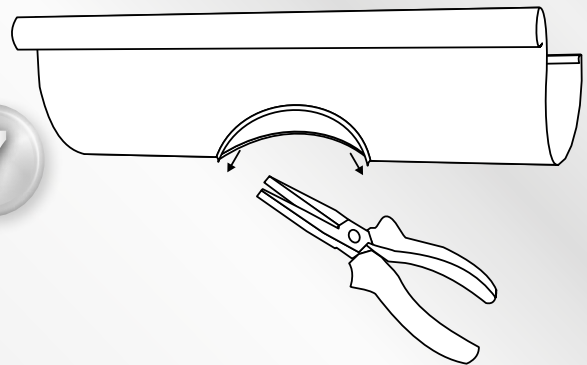
Cutting a hole in the gutter  
with scissors



6

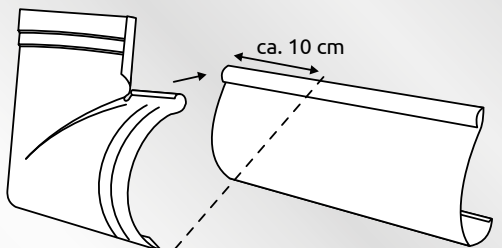


Making a drip at the opening

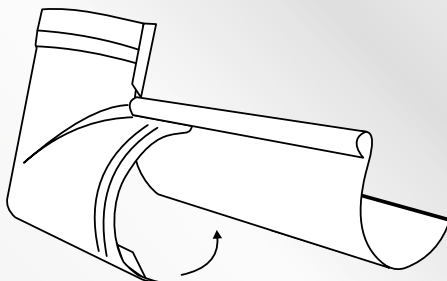


7

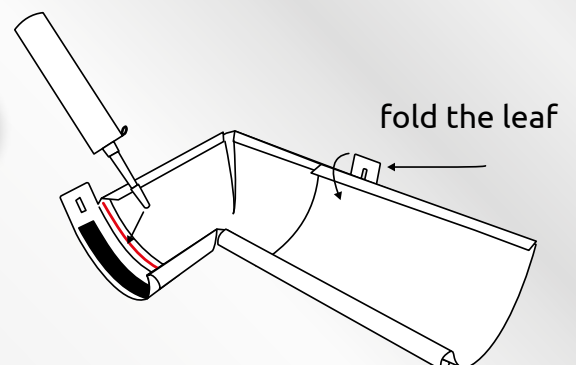
Installation of the 90° corner



8



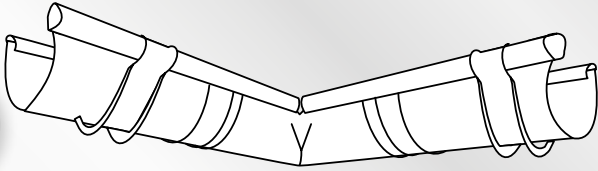
Installation of the 90° corner



9

Fitted corner 90°

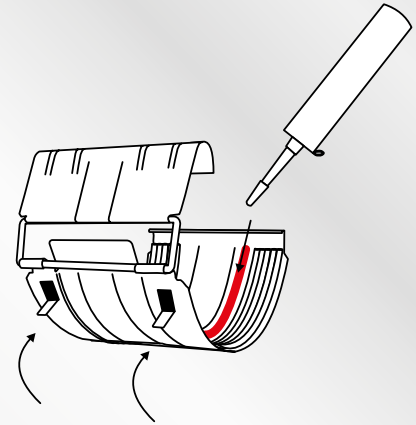
10



A correctly placed corner does not need to be supported by a hanger

Preparation for installation of the connector with bracket

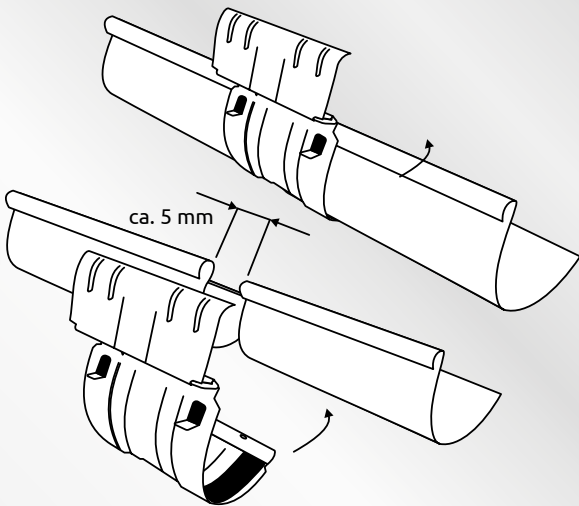
11



fold back the leaves

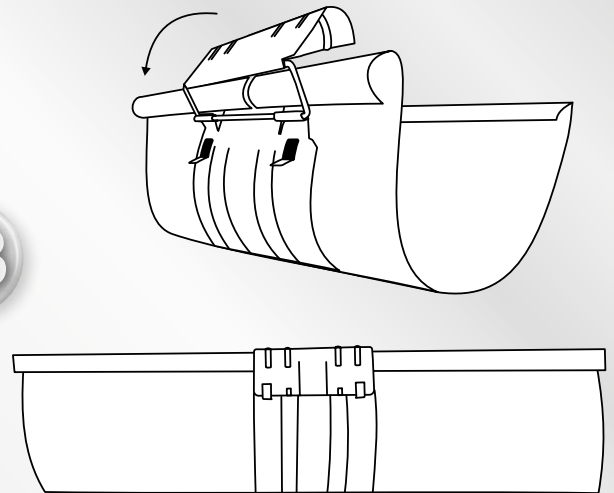
Installation of the connector with bracket

12



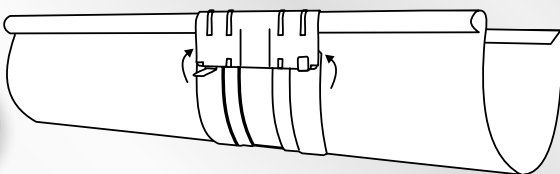
Installation of the connector with bracket

13



Installation of the connector with bracket

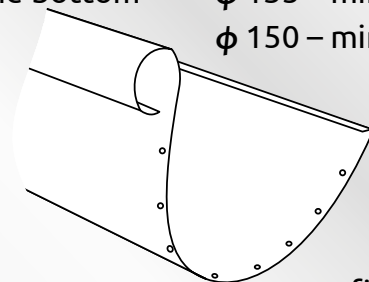
14



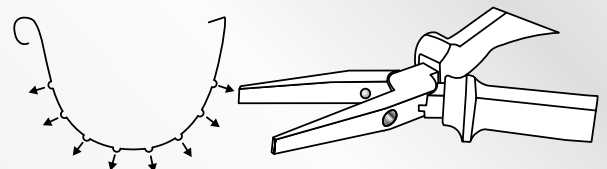
fold the leafs

Installation of the bottom  
 of the bottom  
 φ125 – min. 10 hems  
 φ 135 – min. 12 hems  
 φ 150 – min. 15 hems

15

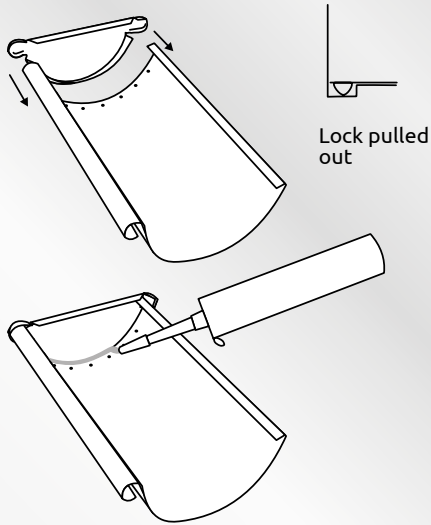


roofing tongs



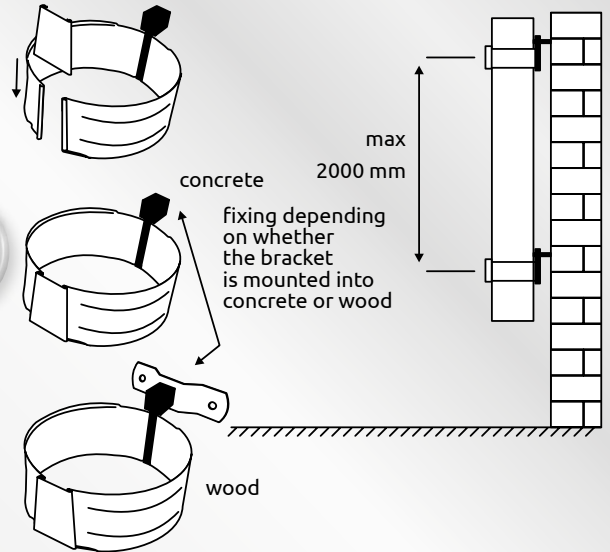
The hems always on the outside

Assembling the bottom and sealing



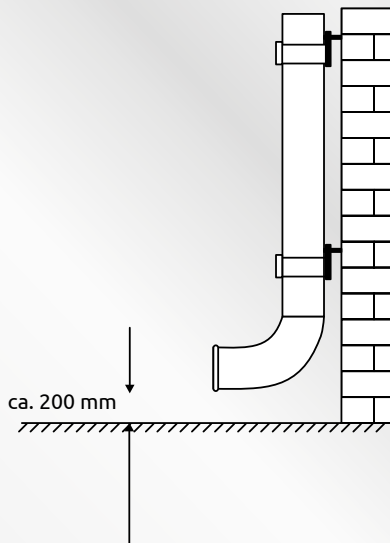
16

Installation of brackets



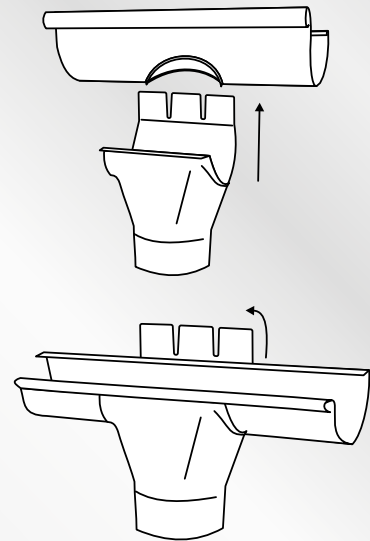
17

Installation of the outlet elbow



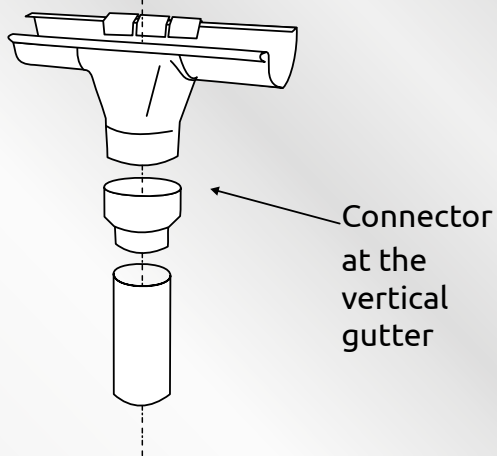
18

Installation of the drop outlet



19

The use of downspout connectors on the connection between the drop outlet and the downspout (without elbows)



20