

# Assembly Instructions for Universal Modular Drift Dry verges



with modular Venecja dry verge

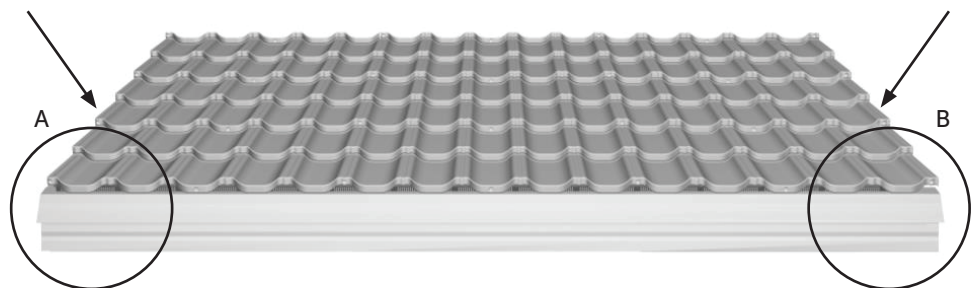


Comply with all applicable health and safety regulations. Always wear protective clothing and gloves when working. Avoid contact with sharp sheet edges, corners of sheets and of barge flashings. Proceed with maximum caution when moving around and working on the roof. Use safety rope and soft-soled shoes during installation.

DRIFT 150 OR DRIFT 180  
MODULAR UNIVERSAL LOWER Dry verges

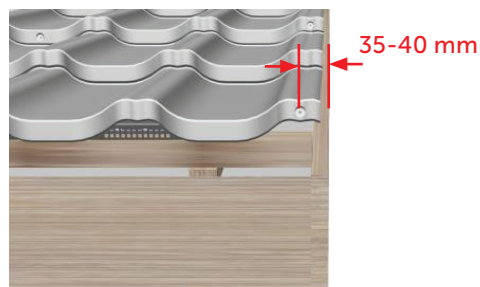
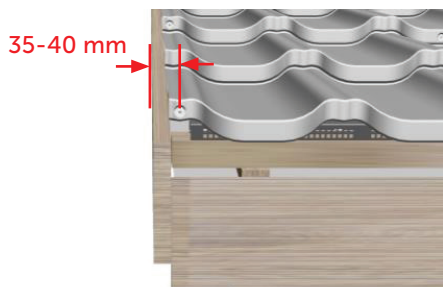
1.

Install the modular universal Drift dry verges and modular Murano dry verges after installing the fundamental roofing.



Detail A

Detail B



2.

Adjusting the roof slope on which the modular dry verges are to be installed:

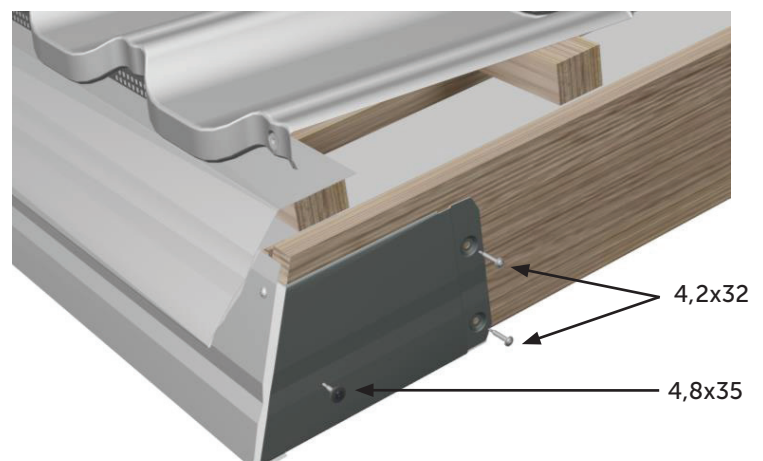
- Width of the slope should be a multiplicity of whole sheets or entire corrugations of the roof sheet tiles
- Otherwise cut the sheets to a full corrugation, preferably using the pre-manufactured edge of another sheet as a template. *fabryczna innego arkusza*

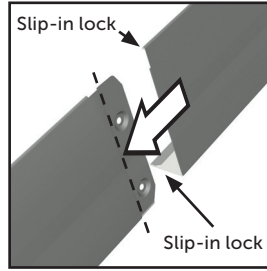
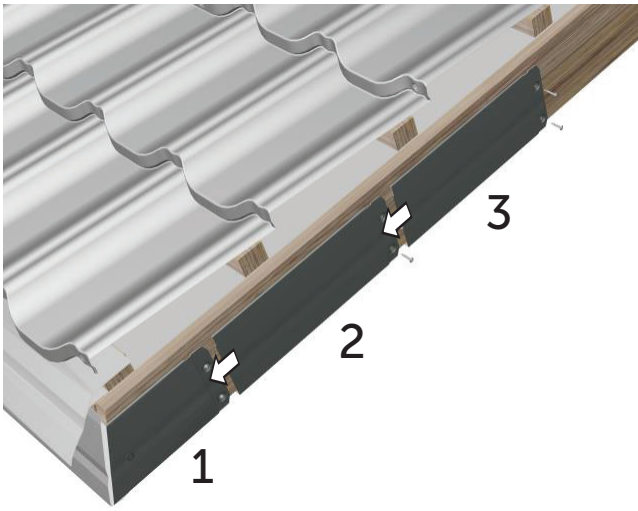
3.

Always carry out the installation from the eave towards the ridge.

Install the modular universal Drift 150 or Drift 180 dry verge using 4.2.x32 flat head screws.

**Caution!** Fasten the first dry verge mounted to the eave with an additional 4.8x35 Torx or Farmer screw.





4.

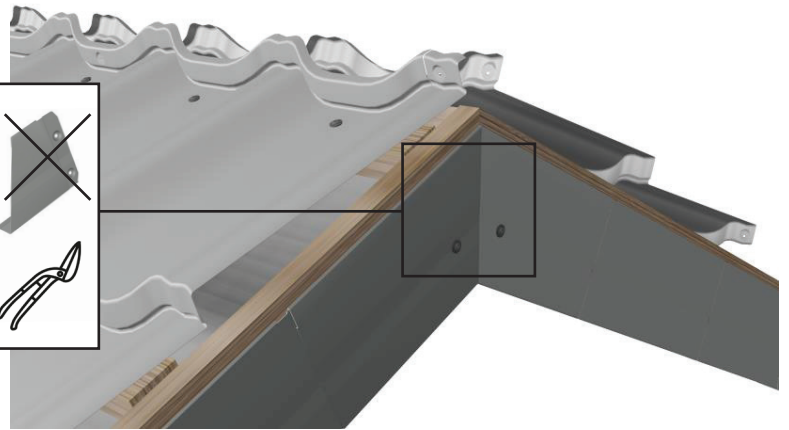
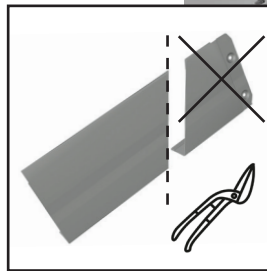
Connect the dry verges by sliding the flashing being installed onto the already installed one.

The dry verges are equipped with special slip-in locks.

5.

The final dry verges installed to the top ridge need to be individually adjusted by cutting, depending on the length of the roof slope and the inclination angle of the roof.

**Caution!** Fasten the final dry verge mounted to the eave with an additional 4.8x35 Torx or Farmer screw.



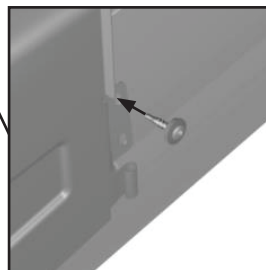
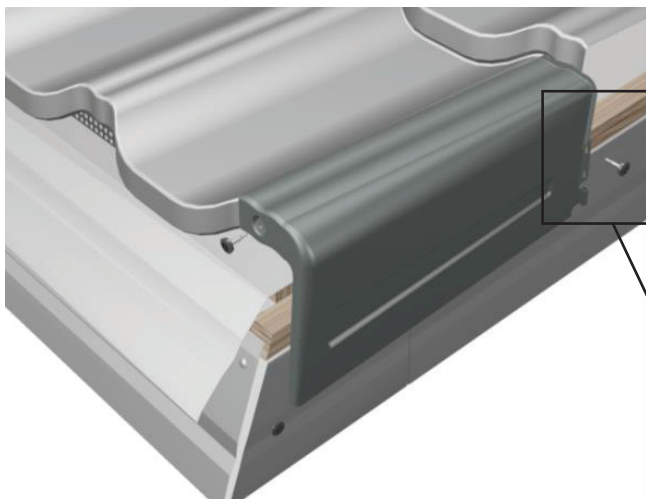
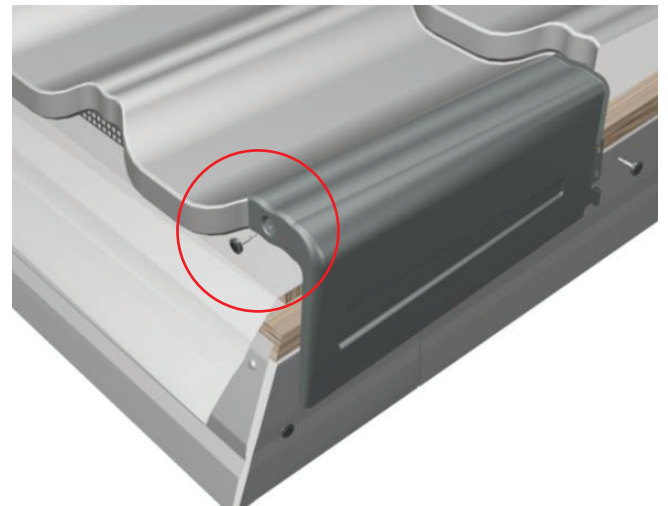
## VENECJA Dry verge

1.

Always carry out the installation from the eave towards the ridge.

Place the dry verge on the first roofing sheet tile module and fasten them with screws to the sheets.

To install the Venecja modular dry verge, use 4.8x20 Torx or Farmer screws.



2.

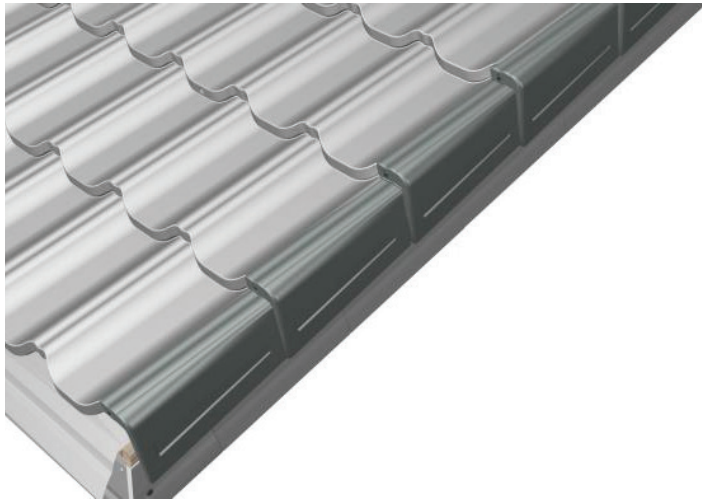
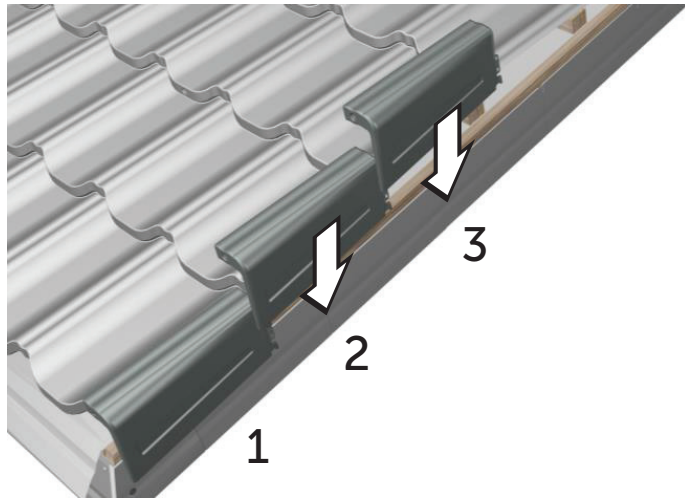
Adjust the dry verge to the sheet tile corrugation by pressing it down against the sheet, so that the dry verge and Venecja modular sheet tile corrugations overlap.

Next, fasten the dry verge to the side board through one of the bean-shaped mounting holes on the side of the dry verge.

3.

Install the next dry verge by placing it on the next sheet tile module and gently slide the lock down until both locks are latched.

Adjust the dry verge to the sheet tile corrugation and tighten.



4.

When installing additional dry verges, follow the previous steps of the instructions.

5.

The final dry verges installed to the top ridge need to be individually adjusted by cutting, depending on the length of the roof slope and the inclination angle of the roof.

