



SQUARE STEEL GUTTER SYSTEM

New

# INTELLIGENT AESTHETICS



# Flamingo



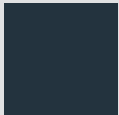
**Budmat.**

# INTELLIGENT AESTHETICS

SYSTEM

# 135/80

COLOUR

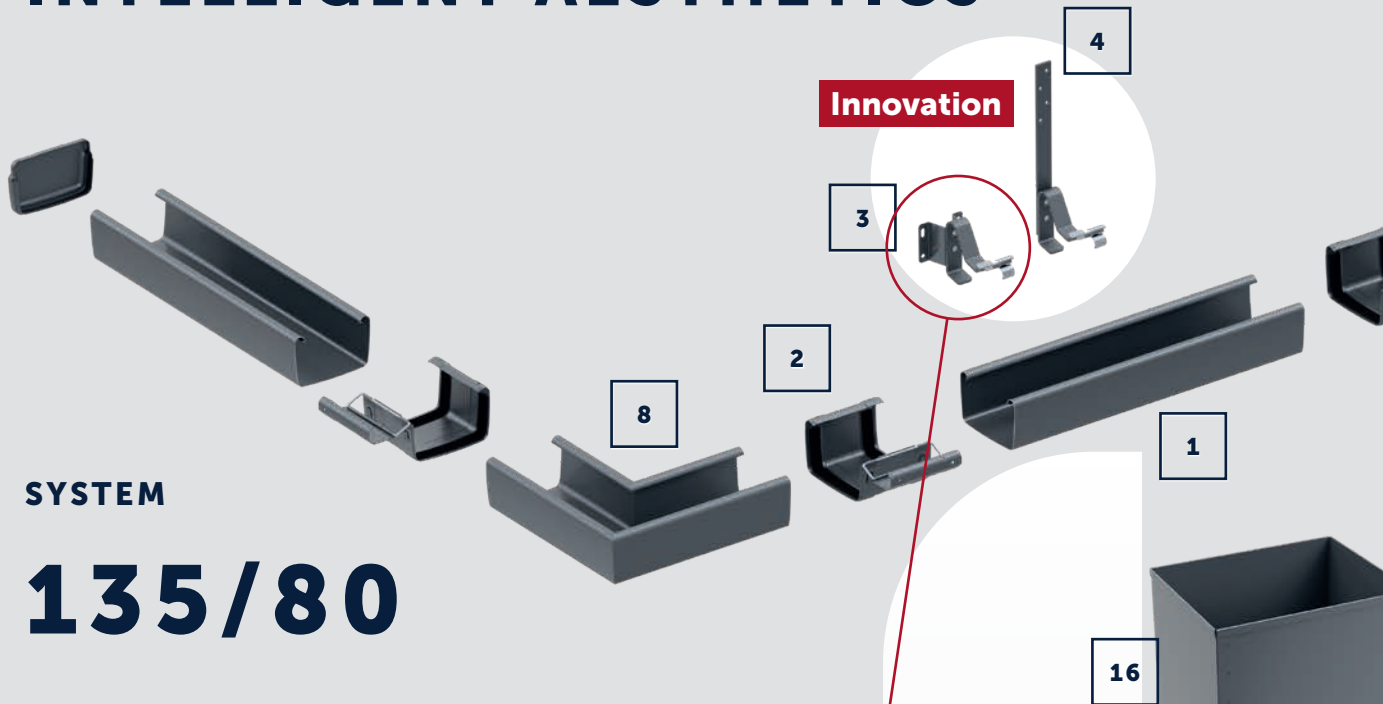


**Anthracite**  
GreenCoat RWS  
Pro 036  
~RAL 7016



**Black**  
GreenCoat RWS  
Pro 015  
~RAL 9005

The colours shown are illustrative and may differ from actual colours.

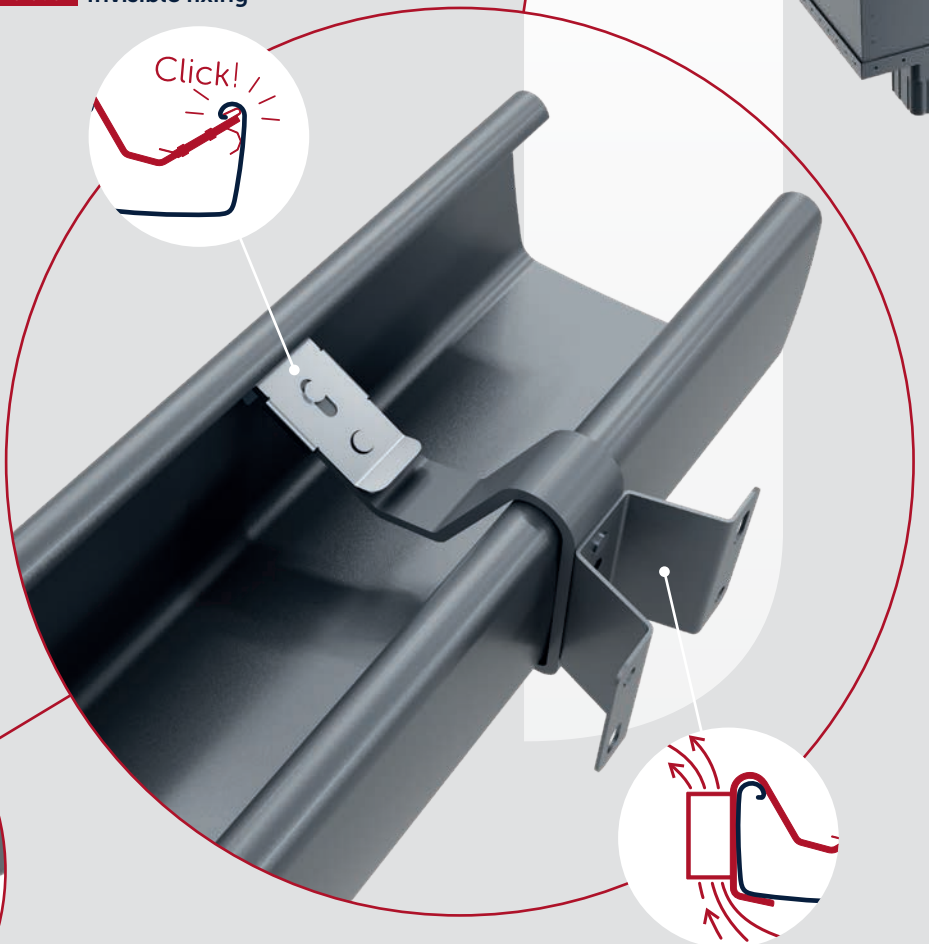
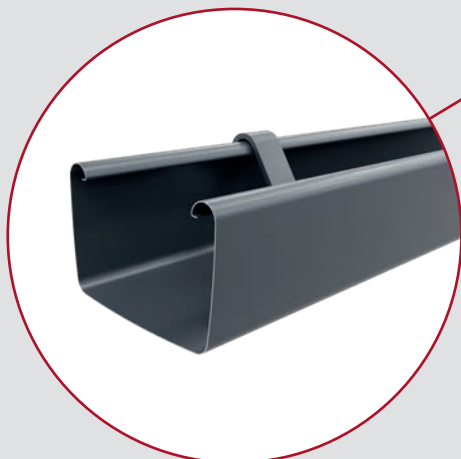


**Innovation** Invisible fixing



**Innovation** Brackets hidden inside the gutter

An innovative solution in the form of a concealed bracket - attached to the fascia board. The gutter support has been moved to the inside of the gutter. The fixings are invisible from the outside, which visually gives the effect of gutter systems with masking.



**Innovation** Excellent roof ventilation

Excellent ventilation of the roof slope is ensured by the appropriately designed brackets. The spacer used at their base improves air circulation under the eaves flashing. This solution guarantees the best condition of the roof for many years.



Flamingo  
iQ

7

8

5

6

10

9

11

## SYSTEM COMPONENTS

12

14

- |                                    |                          |
|------------------------------------|--------------------------|
| 1. Gutter (3m and 4m)              | 9. Gutter stop end       |
| 2. Gutter joint with clamp         | 10. Gutter outlet        |
| 3. Hidden fascia bracket           | 11. Downpipe bend 60°    |
| 4. Hidden rafter bracket (L210)    | 12. Downpipe socket      |
| 5. Fascia bracket                  | 13. Downpipe (1m and 3m) |
| 6. Fascia bracket with metal strip | 14. Downpipe clip        |
| 7. Rafter bracket (L210)           | 15. Downpipe shoe        |
| 8. Inner/outer gutter angle 90°    | 16. Hopper               |

13

15

## Flamingo iQ – steel square gutter with concealed fixings.

It fits perfectly on all types of roofs.  
It blends in excellent with both modern house  
designs, such as the modern barn type, and  
those kept in a classic style.

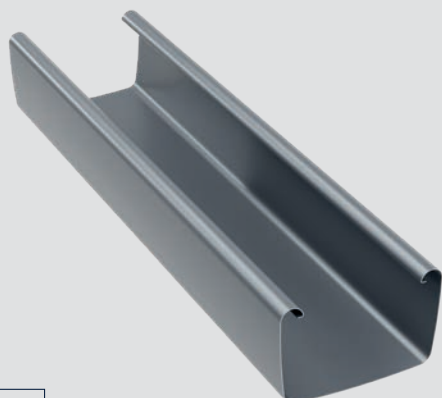
50  
YEAR  
WARRANTY

**GREENCOAT® RWS PRO**

COLORFUL STEEL

by SSAB Swedish Steel

## Gutter



1

It has a square cross-section and a double gutter edge curling facing inwards, which gives the effect of a uniform, perfectly smooth surface and prevents water from splashing out. It is very rigid and resistant to deformation and always maintains a flawless line. The gentle bending radius improves permeability and the symmetrical shape makes it easy to install. The most capacious of the square gutter systems on the Polish market in its size group.

## Gutter joint with clamp



2

An element that precisely connects two gutter sections.

The double gasket ensures reliable tightness at joints particularly vulnerable to leakage.

### Innovation

## Hidden fascia bracket



3

Allows the gutter to be supported from the inside, making the fixings invisible.

The fascia bracket is fixed to the fascia board with a spacer for optimum ventilation of the roof (see fascia bracket with metal strip) and seamless fixing to the fascia board with seam finish. The solution is characterised by its easy click installation thanks to a snap-in mechanism.

### Innovation

## Hidden rafter bracket L210



4

Combines the features of a traditional rafter bracket with the support of the gutter from the inside, making the fixings invisible. The solution is characterised by an easy click installation thanks to a snap-in mechanism.



## Fascia bracket

A cost-effective and robust solution dedicated to high-profile roofing, where ventilation of the slope takes place above the eaves flashing.

5



## Fascia bracket with metal strip

Its high mounting base ensures optimum ventilation under the eaves flashing and allows for aesthetical flashing of the eaves board using a standing seam sheets without the risk of the gutter clashing with the flashing seams.

6



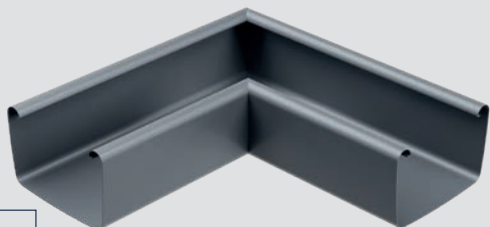
## Rafter bracket with metal strip L210

A traditional solution that guarantees proper ventilation of the roof slope under the eaves flashing. It is suitable for roofs with soffit and exposed rafters without fascia board.

7

## Internal/external gutter angle 90°

A universal element for connecting gutters at right angles on hip and multi-slope roofs.



8

### Gutter stop end

A proven solution taken from the steel half-round Flamingo gutter system, that allows for an elegant finishing of the gutter line.



9

### Gutter outlet

An aesthetically pleasing connection of the gutter with the downpipe. Its minimalist form allows for achievement of a perfect visual effect without negative impact on the the system's functionality.



10

### Downpipe bend 60°

An indispensable element for roofs with eaves where there is a the need to move the drain line back towards the façade.



11

### Downpipe socket

A system component for connecting downpipes that do not have the factory narrowing of the end (usually for downpipe sections that were cut).



12



13

### Downpipe

Provides efficient and safe water drainage. This element has been equipped with a factory narrowed end to allow the connection of lines without the use of a downpipe socket.



14

### Downpipe clip

Fastening element for stable fixing of the downpipe.



15

### Downpipe shoe

The function of a downpipe shoe in the Flamingo iQ system is performed by a 60° downpipe bend.



16

### Hopper





### Optimised gutter cross-section

The symmetrical double gutter edge curling facing inwards prevents water from splashing out and, combined with the smooth bending radius, it ensures a uniform, perfectly smooth surface effect. The gutter is very rigid and always maintains a flawless line, without distortion or ripple effect.



### Intelligent aesthetics

Innovatively designed, externally invisible hooks make Flamingo iQ able to compete with gutter systems with a masking. The system is compatible with all Budmat roofs and roof flashings, resulting in a perfect, visual and functional final effect.



### Safe and efficient installation thanks to cooperation with roofers

We designed the system with the active participation of roofers from Budmat's ProTeam, making it functional and easy to install. Flamingo iQ can be installed at the final stage of the roofing work. The guttering has a symmetrical cross-section, so it can be installed either side without having to turn the gutter when working at heights.



### Impressive efficiency

Flamingo iQ is able to collect more water than other steel square gutter systems on the market from its size group. It can cope brilliantly with larger slopes, even in the event of heavy rainfall. The system can handle up to 180 m<sup>2</sup> of roof area per drain, depending on its foundation. The smooth bending radius of the gutter increases the volume and permeability of the system, reducing the risk of dirt settling in the corners.

**+48 502 197 197**  
**budmat.com**