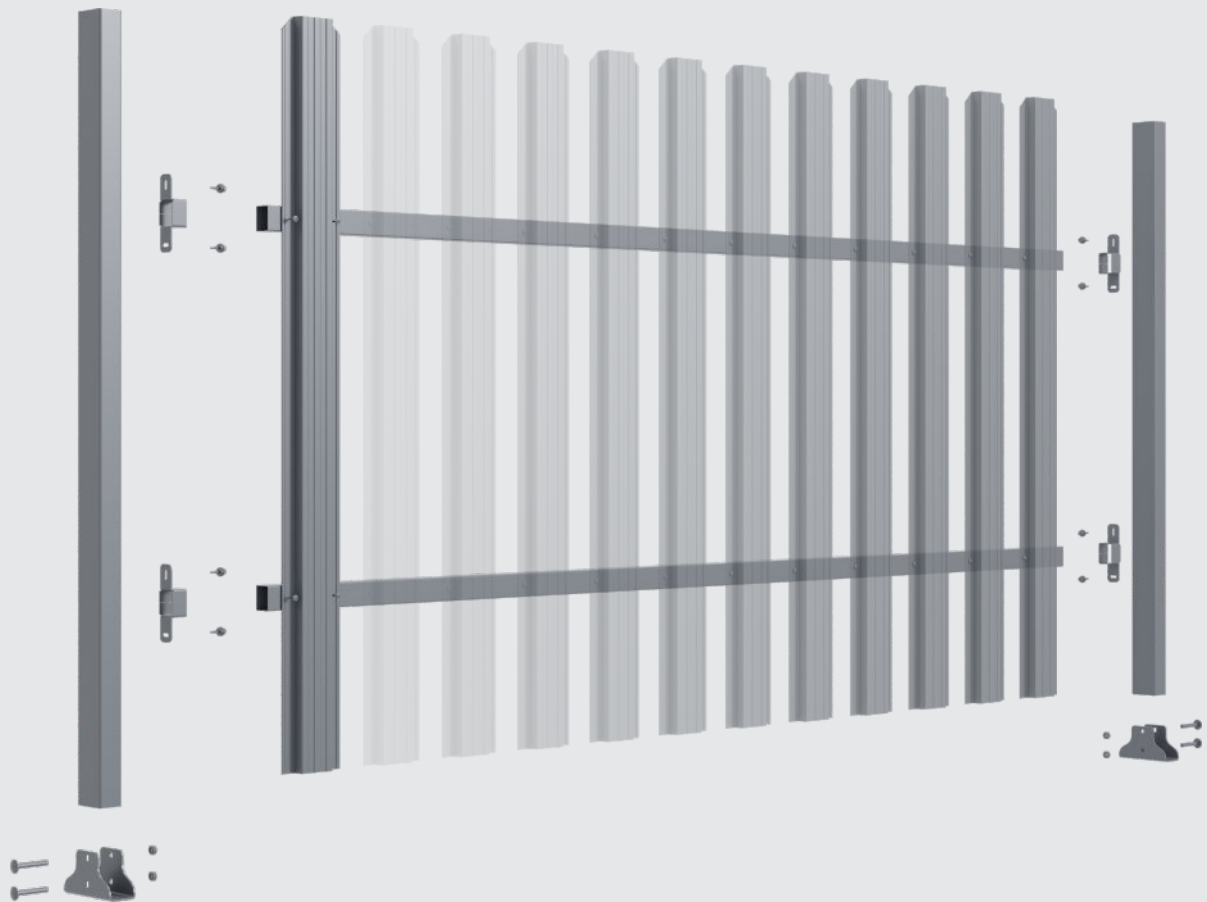


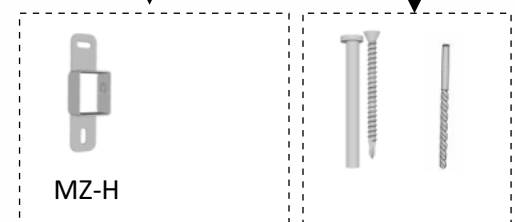
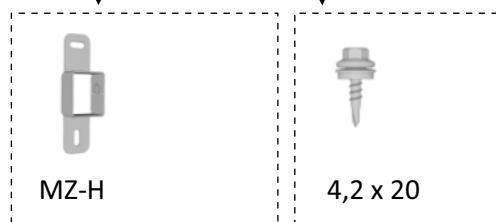
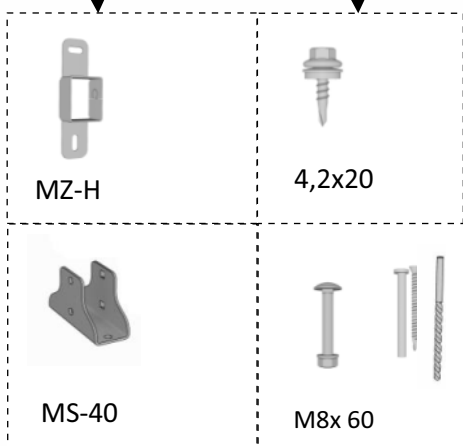
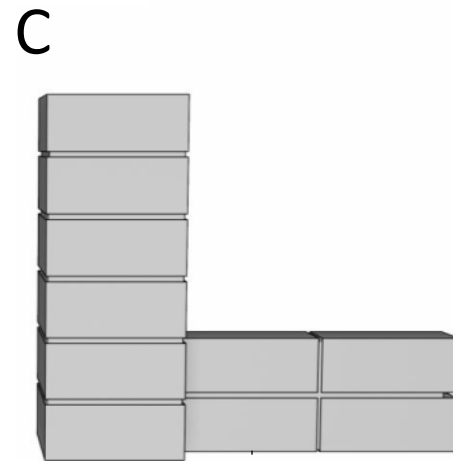
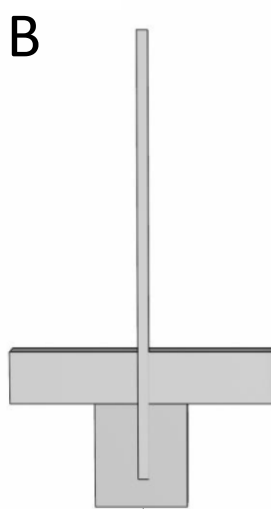
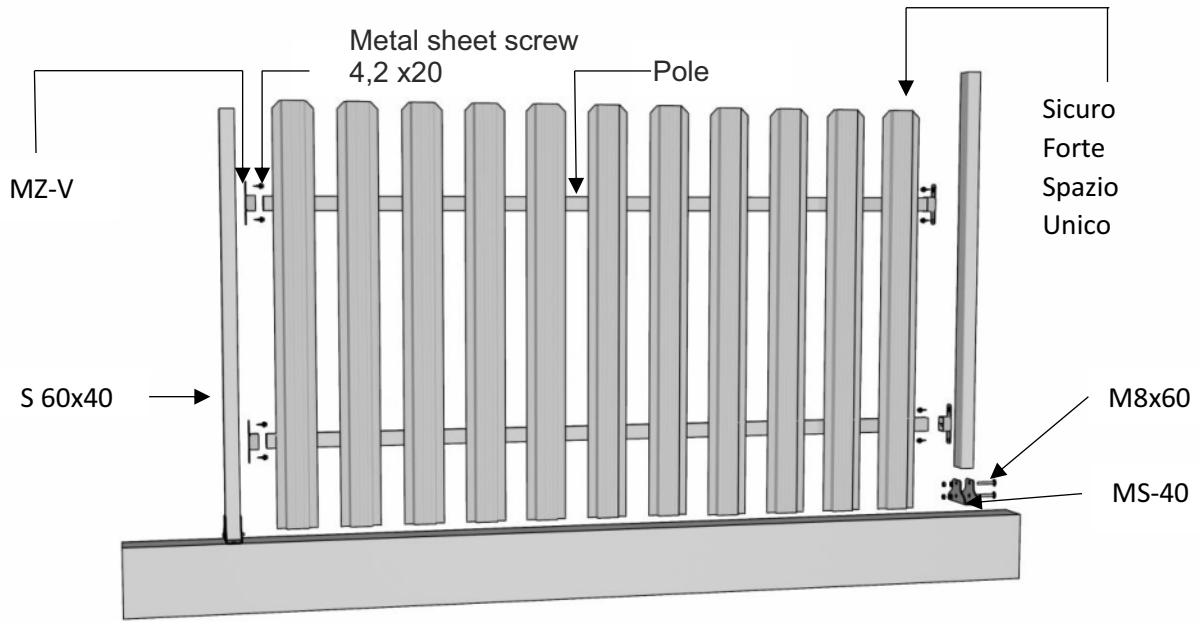


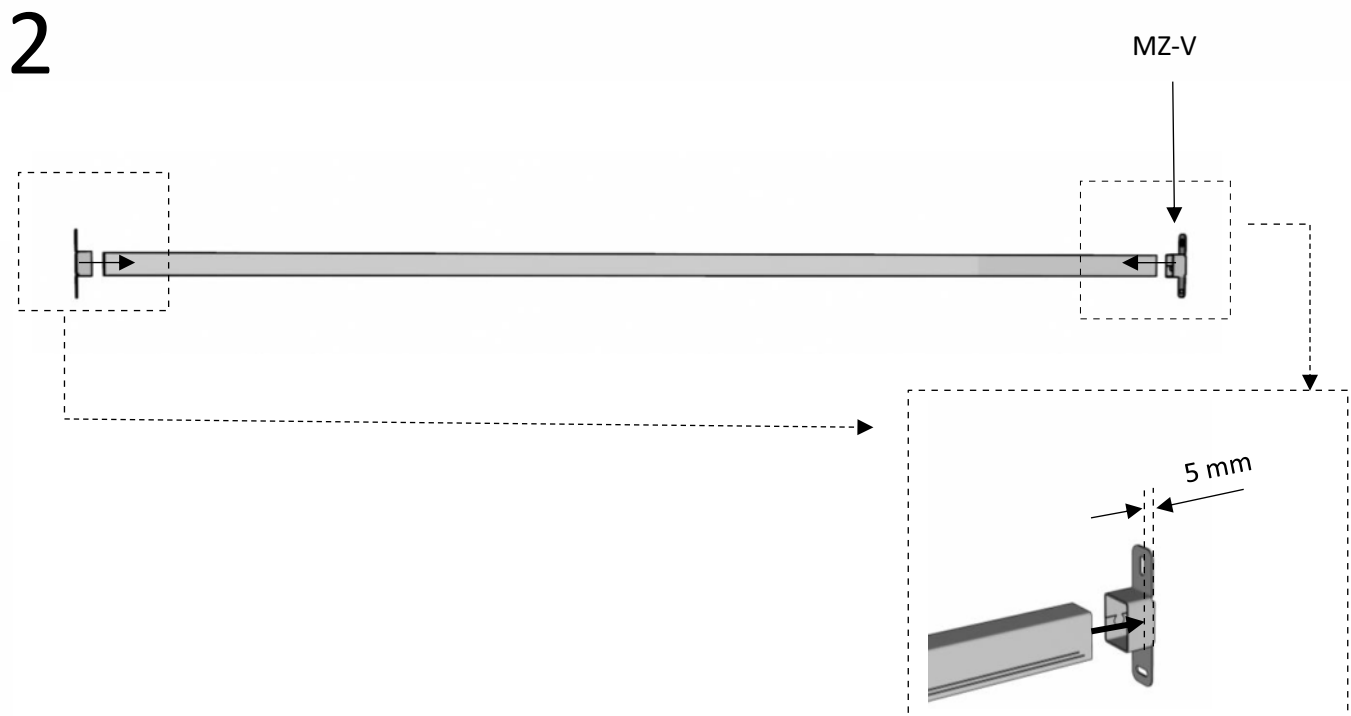
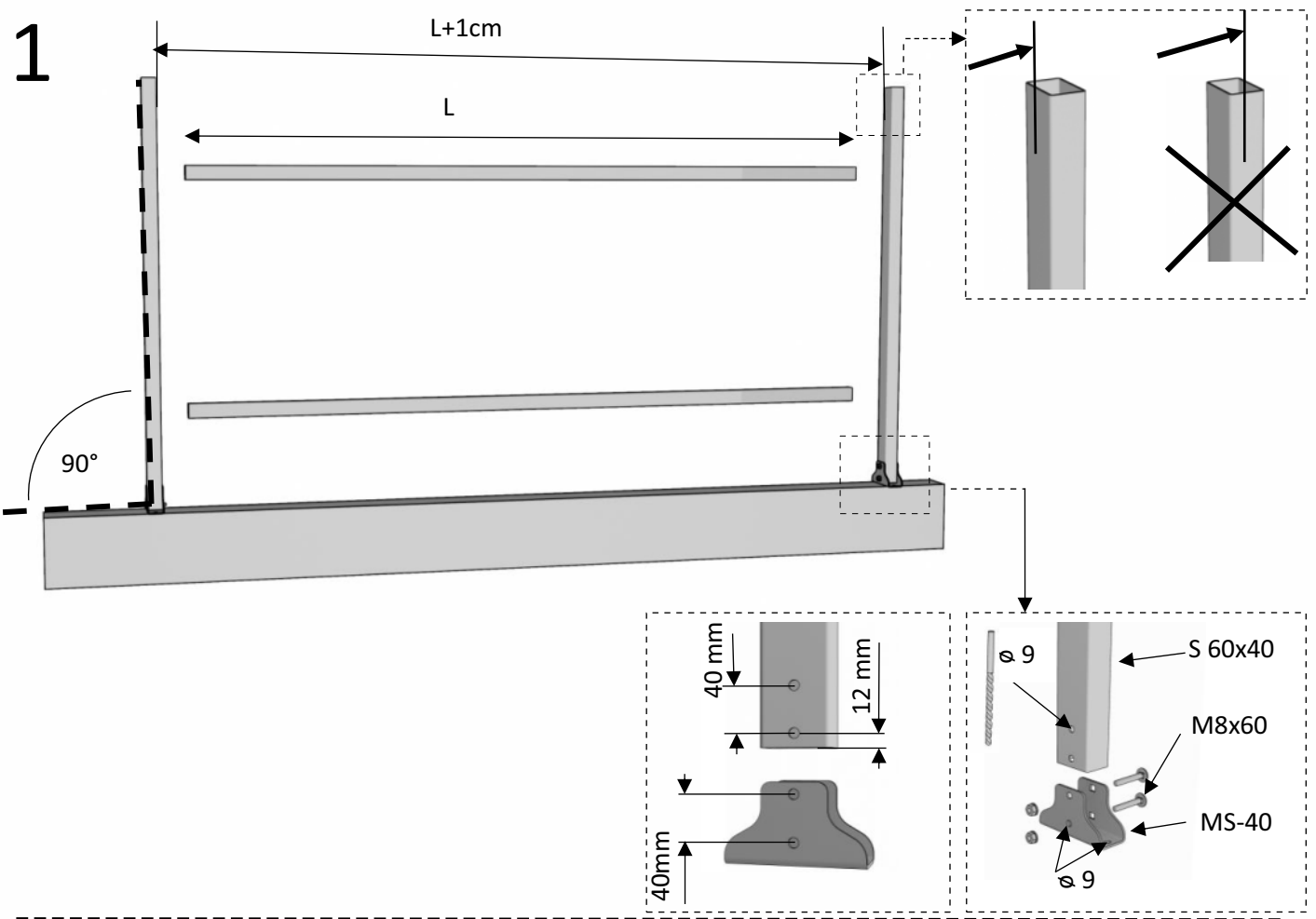
**Budmat.**

# FENCE SYSTEMS



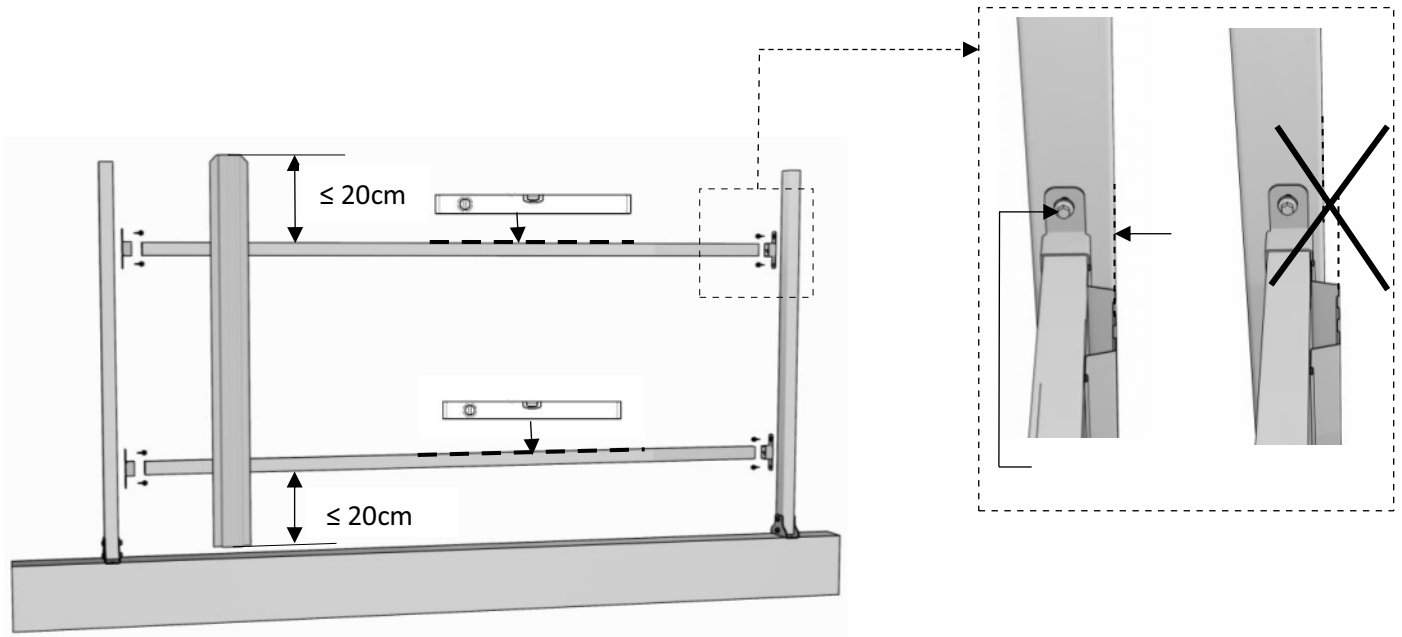
## INSTALLATION MANUAL FOR VERTICAL SPAN



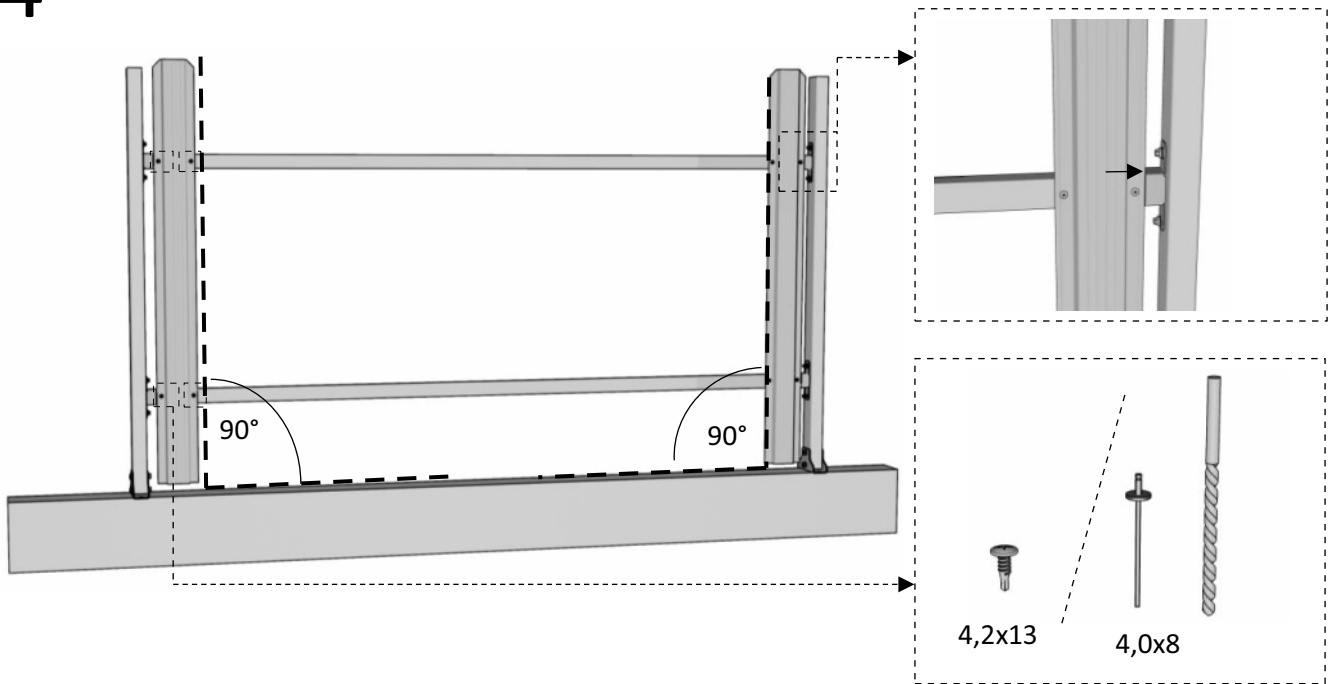


# 3

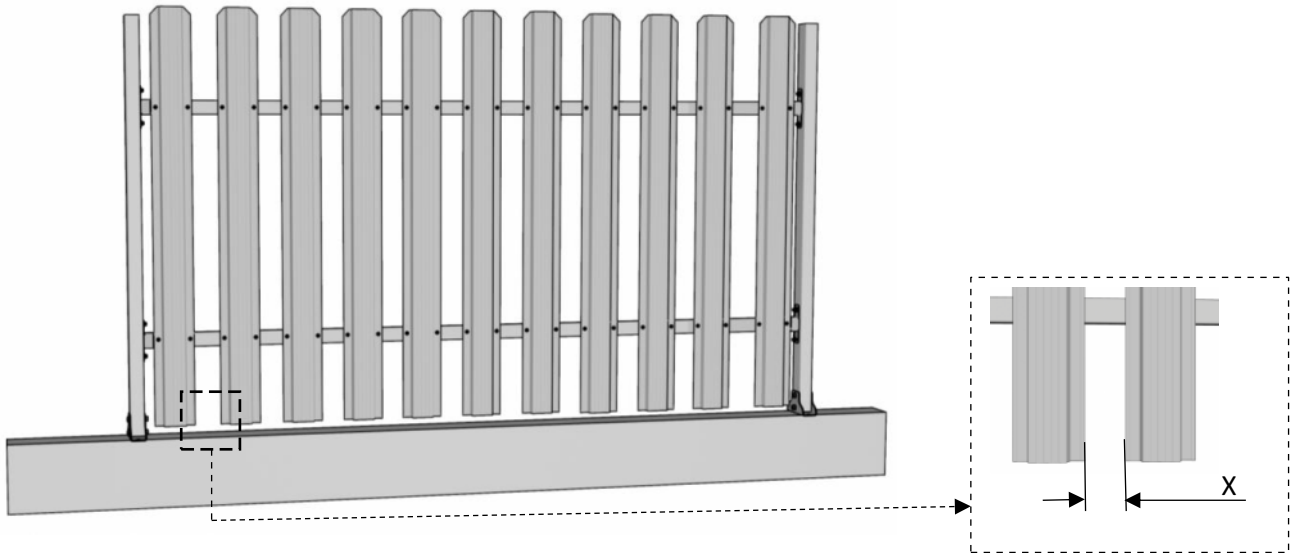
Metal sheet screw 4,2 x20



# 4



# 5



|        |           | 01 | 02 | 03 | 04 | 05 | 06 | 07 | 08 |
|--------|-----------|----|----|----|----|----|----|----|----|
| Sicuro | <b>SI</b> | 52 | 35 | 52 | 35 | 7  | 52 | 52 | 52 |
| Forte  | <b>FO</b> | 49 |    | 49 |    | 40 | 49 | 49 | 49 |
| Spazio | <b>SP</b> | 52 | 35 | 52 | 35 | 7  | 52 | 52 | 52 |
| Unico  | <b>UN</b> | 52 | 35 | 52 | 35 | 7  | 52 | 52 | 52 |

$X_{UN-03} = 52\text{mm}$

|        |           | 01 | 02 | 03 |
|--------|-----------|----|----|----|
| Sicuro | <b>SI</b> | 52 | 35 | 52 |
| Forte  | <b>FO</b> | 49 |    | 49 |
| Spazio | <b>SP</b> | 52 | 35 | 52 |
| Unico  | <b>UN</b> | 52 | 35 | 52 |

