

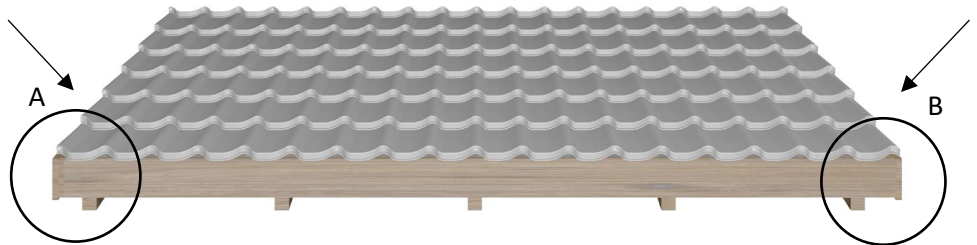
Assembly instructions for modular dry verge



Comply with all applicable health and safety regulations. Always wear protective clothing and gloves when working. Avoid contact with sharp sheet edges, and the corners of sheets and dry verges. Proceed with maximum caution when moving around and performing work on the roof. Use a safety rope and soft-soled shoes during installation.

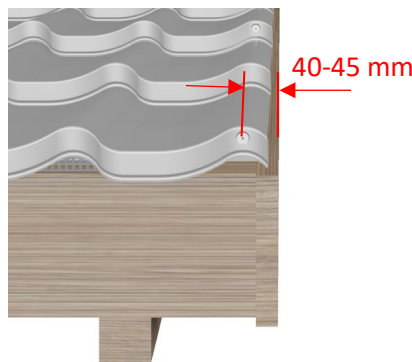
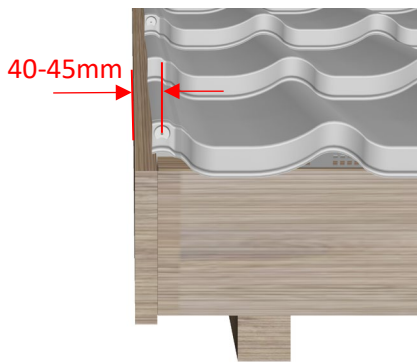
1.

Bella Sara modular dry verges are intended for making side flashings of roofs covered with Bella Sara modular roofing tiles.



DETAIL A

DETAIL B



2.

Adjusting the roof slope on which the modular dry verges will be installed:

- the width of the slope should be a multiplicity of whole sheets or entire tile sections of the roofing sheet
- otherwise the sheets should be cut to a full wave, preferably using the factory edge of another sheet as a template.

3.

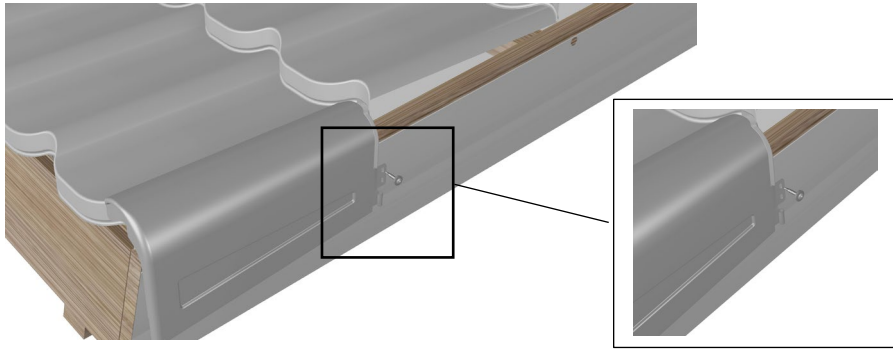
The installation is always carried out from the bottom to the top of the slope. Place the first dry verge on the first module of the roofing sheet and fix it with fasteners to the roofing sheets.

Use Torx 4.8x20 or Farmer 4.8x20 screws to install the Bella Sara modular dry verges.



Make sure to keep a straight line of overlap for the dry verges (use the pre-drilled holes in the modular metal sheet) as a guide for the correct installation of following dry verges.

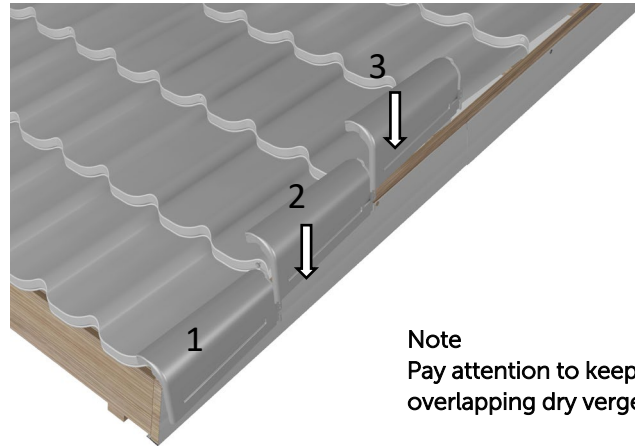
4.



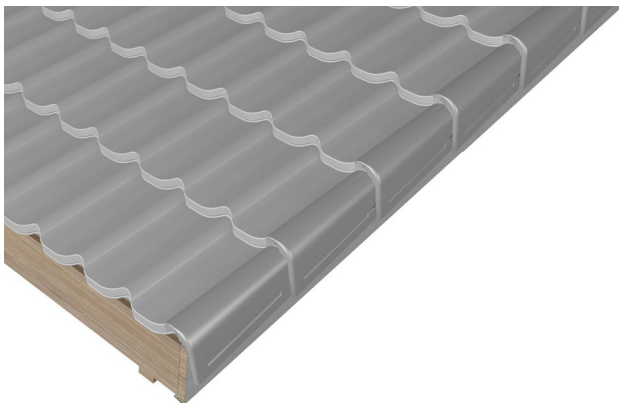
Adjust the dry verge plate to the roofing tile panel by pressing it from the top against the sheet, so that the dry verge plate is lying flush with the tile section along its entire length. Then fasten the dry verge to the side board through one of the bean-shaped mounting holes. Use a Torx 4.8x35 screw.

5.

Fit another dry verge plate by overlapping it on top of the next section of modular roofing sheet by gently sliding the latch in until the two locks snap together. Align the dry verge with the tile wave and screw in place.



Note
Pay attention to keep a straight line of overlapping dry verge plates



6.

When installing the subsequent dry verges, follow the previous steps of the instruction.

7.

The last dry verges, installed close to the top ridge, need to be individually adjusted by cutting, depending on the length of the slope and the angle of inclination of the roof.

