

Installation manual for Optimus - barge flashing for roof panels

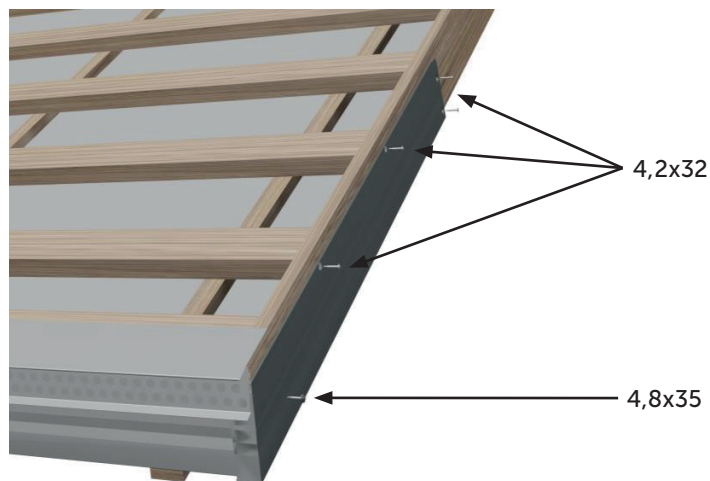
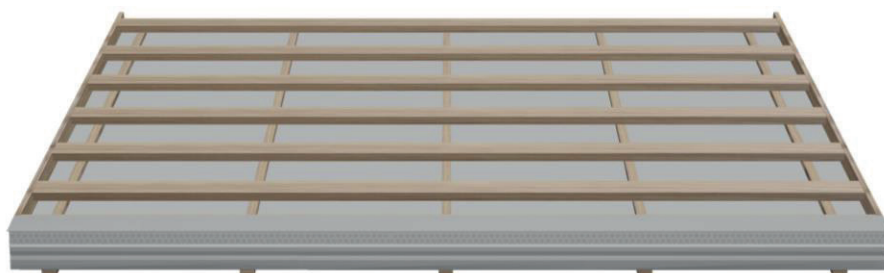


Comply with all applicable health and safety regulations. Always wear protective clothing and gloves when working. Avoid contact with sharp sheet edges, and the corners of sheets and flashings. Proceed with maximum caution when moving around and performing work on the roof. Use a safety rope and soft-soled shoes during installation.

MOD SYSTEM LOWER BARGE FLASHING

1.

Before installing the Optimus barge flashing, you have to make sure that the eaves flashing, the gutter and the LS-14 starter strip are in place.



2.

The installation is always carried out from the eave towards the ridge.

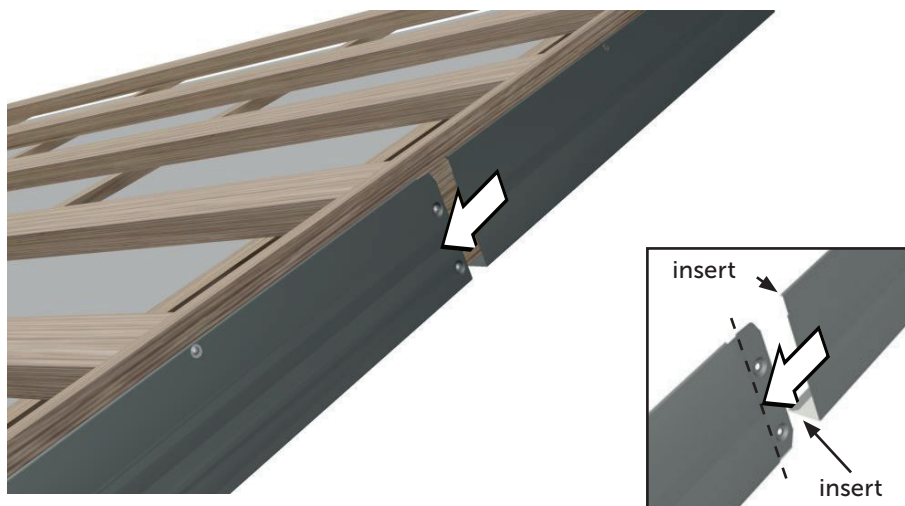
Install the WD 150/WD 180 bottom barge flashings with the 4,2x32 flat headed screws.

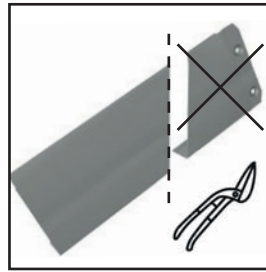
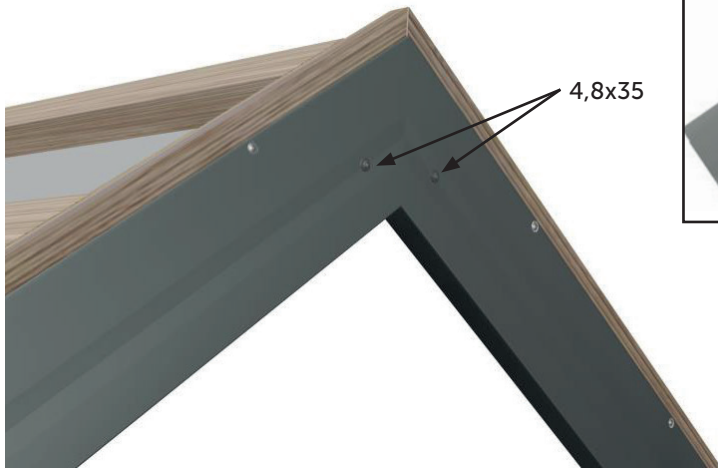
Attention! The first barge flashing from the eave side has to be fixed with an additional 4.8x35 Torx or Farmer type screw.

3.

Connect barge flashings by sliding the flashing plate you are installing onto the already mounted one.

The barge flashings have special „slip-in” locks.





4.

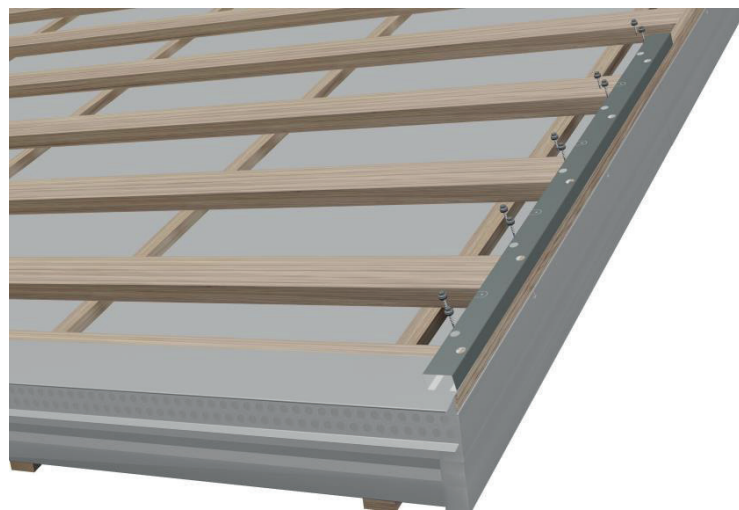
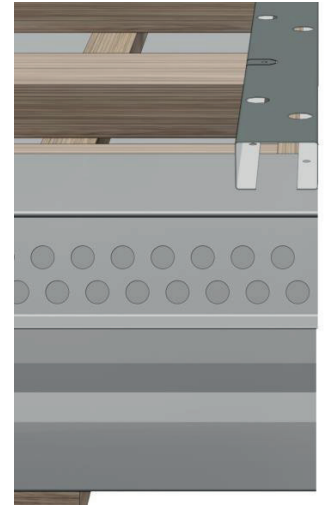
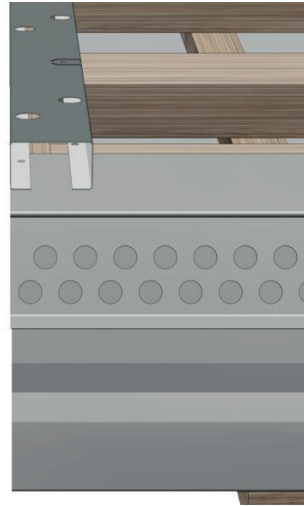
The last barge flashing plates installed at the top of the ridge require individual adjustment by cutting, depending on the length of the roof slope and the inclination angle.

Attention! The final barge flashing must be fastened with an additional 4.8x35 Torx or Farmer type screws.

INSTALLATION OF OPTIMUS INSTALLATION

1.

Align the installation strip with the edge of the roof slope.



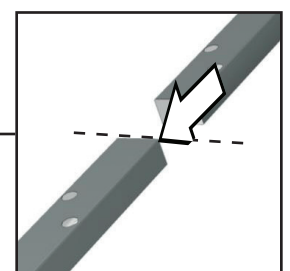
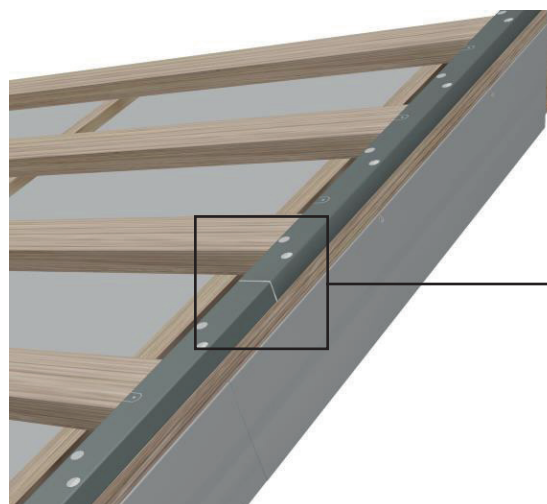
2.

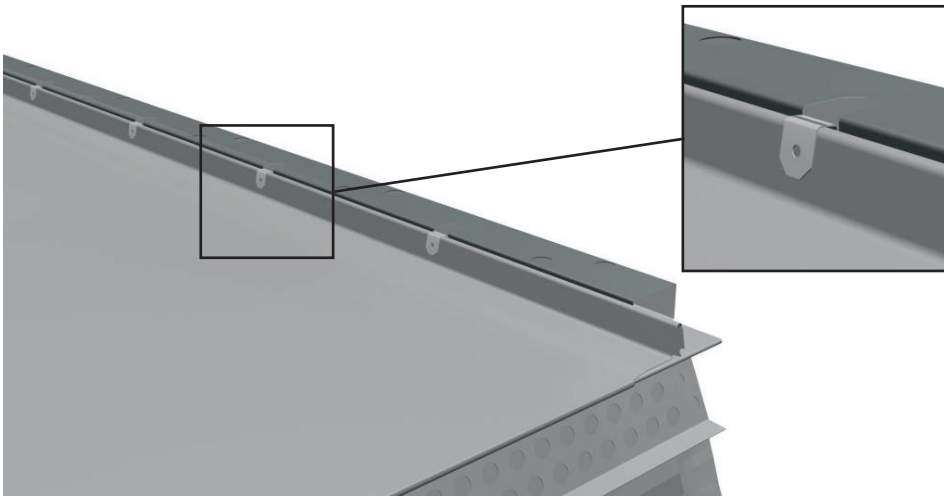
The Optimus installation strip is fitted from the eave towards the ridge.

Fix it with the 4.8x35 Torx or Farmer type screws. The strip has pre-drilled holes to ensure easy installation.

3.

The next installation strip is placed close to the previous one.



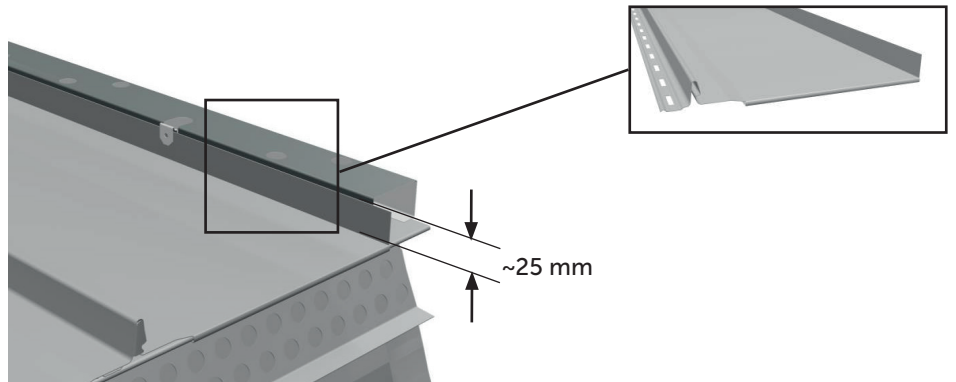


4.

Fit the end panel and then bend the plates of the Optimus installation strip.

5.

If an outermost panel needs to be trimmed in order to reduce its width, after cutting, bend the cut edge upwards.

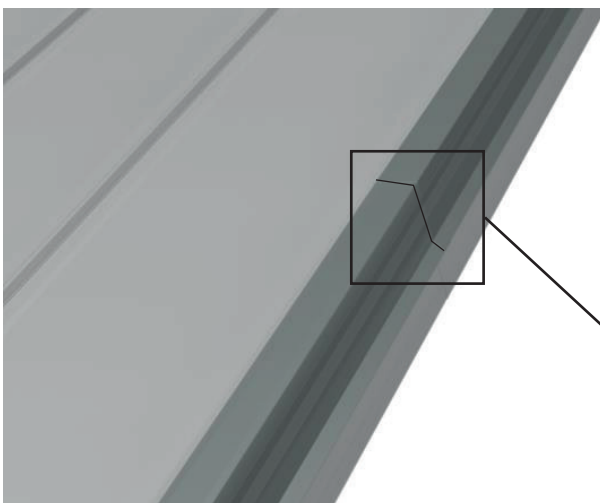
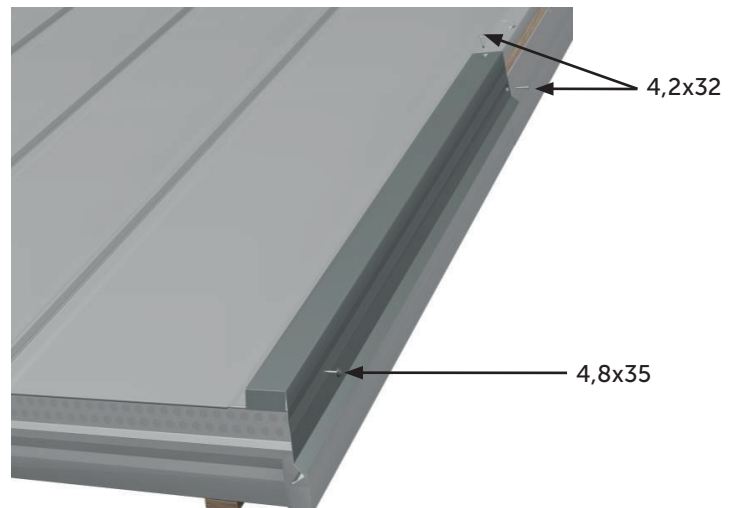


INSTALLATION OF OPTIMUS BARGE FLASHING

1.

The installation is always carried out from the eave to the ridge.
Assemble the Optimus barge flashing using the 4,2x32 flat headed screws.

Attention! The first barge flashing from the eave side must be fixed with an additional 4,8x35 screw.



2.

Connect barge flashings by sliding the flashing plate you are installing onto the already mounted one. The barge flashings have special „slip-in“ locks.

3.

The last barge flashing plates installed at the top of the ridge require individual adjustment by cutting, depending on the length

Attention! The final barge flashing must be fastened with an additional 4.8x35 Torx or Farmer type screws.

